



SCPH-39001

SCPH-39000 series

SERVICE MANUAL 1st Edition
for GH017 MOUNT
(G-chassis)

PlayStation®2



Sony Computer Entertainment Inc.
CS Department
Published in Japan ©4. 2002. 9-927-094-11

NOTICE

Copyright by Sony Computer Entertainment Inc. All rights reserved. No reproduced and transferred required except permission by Sony Computer Entertainment Inc. No commercial use and rental required.

REVISIONS.

This manual compiled by first edition of SCPH-39000 series design data. Design and Specification will be subject to changed without notice. The latest versions of service manual, Technical memo, Technical information should be used together.

SAFETY-RELATED COMPONENT WARNING !!

COMPONENTS IDENTIFIED BY MARK \triangle OR DOTTED LINE WITH MARK \triangle ON THE SCHEMATIC DIAGRAMS AND IN THE PARTS LIST ARE CRITICAL TO SAFE OPERATION. REPLACE THESE COMPONENTS WITH SONY PARTS WHOSE PART NUMBERS APPEAR AS SHOWN IN THIS MANUAL OR IN SUPPLEMENTS PUBLISHED BY SONY.

ATTENTION AU COMPOSANT AYANT RAPPORT À LA SÉCURITÉ !

LES COMPOSANTS IDENTIFIÉS PAR UNE MARQUE \triangle SUR LES DIAGRAMMES SCHÉMATIQUES ET LA LISTE DES PIÈCES SONT CRITIQUES POUR LA SÉCURITÉ DE FONCTIONNEMENT. NE REMPLACER CES COMPOSANTS QUE PAR DES PIÈCES SONY DONT LES NUMÉROS SONT DONNÉS DANS CE MANUEL OU DANS LES SUPPLÉMENTS UBLIÉS PAR SONY.

CAUTION

Replace the battery with a Sony CR2032 battery. Use of any other type of battery may present the risk of fire or explosion. The battery may explode if mistreated. Do not recharge, disassemble, or dispose of in fire.

CAUTION

The use of optical instruments with this product will increase eye Hazard. As the laser beam used in this CD/DVD player is harmful To eyes, do not attempt to disassemble the cabinet. Refer servicing to qualified personnel only.

WARNING !!

WHEN SERVICING, DO NOT APPROACH THE LASER EXIT WITH THE EYE TOO CLOSELY. IN CASE IT IS NECESSARY TO CONFIRM LASER BEAM EMISSION, BE SURE TO OBSERVE FROM A DISTANCE OF MORE THAN 25cm FROM THE SURFACE OF THE OBJECTIVE LENS ON THE OPTICAL PICK-UP BLOCK.

CAUTION

Use of controls or adjustments or performance of procedures other than those specified herein may result in hazardous radiation exposure.

CAUTION for electric shock

When power is ON, Don't touch to Power supply block, AC-inlet, Power switch and so on, not to get an electric shock at repair.

CAUTION for burning

When current is supplied, Some of part surface temperature like EE, GS, Regulator-IC, power supply, Optical device and so on. These part surface is become high temperature condition. When it repair, Don't touch them at a time during it surface is high temperature condition to take prevent against burning. Do repair after it is cooled down enough.

CAUTION

Danger of explosion if battery is incorrectly replaced. Replace only with the same or equivalent type recommended by the manufacturer. Discard used batteries according to the manufacturer's instructions.

ADVARSEL!

Lithiumbatteri - Eksplosjonsfare ved feilagtig håndtering. Udskiftning må kun ske med batteri af samme fabrikat og type. Levér det brugte batteri tilbage til leverandøren.

ADVARSEL

Eksplosjonsfare ved feilaktig skifte av batteri. Benytt samme batteritype eller en tilsvarende type anbefalt av apparatfabrikanten. Brukte batterier kasseres i henhold til fabrikantens instruksjoner.

VARNING

Explosionsfara vid felaktigt batteribyte. Använt samma batterityp eller en ekvivalent typ som rekommenderas av apparatillverkaren. Kassera använt batteri enligt fabrikantens instruktion.

VAROITUS

Paristo voi räjähtää, jos se on virheellisesti asennettu. Vaihda paristo ainoastaan valmistajan suosittelemaan tyyppiin. Hävitä käytetty paristo valmistajan ohjeiden mukaisesti.

SAFETY CHECK-OUT

After correcting the original service problem, perform the following safety checks before releasing the set to the customer:

1. Check the area of your repair for unsoldered or cold-soldered connections. Check the entire board surface for solder splashes and bridges.
2. Check the inter board wiring to ensure that no wires are "pinched" or contact high-wattage resistors.
3. Look for unauthorized replacement parts, particularly transistors, that were installed during a previous repair. Point them out to the customer and recommend their replacement.
4. Look for parts which, though functioning, show obvious signs of deterioration. Point them out of the customer and recommend their replacement.
5. Check the line cord for cracks and abrasion. Recommend the replacement of any such line cord to the customer.
6. Check the b+ voltage to see it is at the values specified.
7. Check the antenna terminals, metal trim, "metalized" knobs, screws, and all other exposed metal parts for ac leakage. Check leakage as described below.

LEAKAGE

The AC leakage from any exposed metal part to earth ground and from all exposed metal parts to any exposed metal part having a Return to chassis, must not exceed 0.5 mA (500 micro-amperes). Leakage current can be measured by any one of three methods.

1. A commercial leakage tester, such as the SIMPSON 229 or RCA WT-540A. Follow the manufacturers' instructions to use these instruments.
2. A battery-operated AC milli-ammeter. The Data Precision 245 digital multi-meter is suitable for this job.
3. Measuring the voltage drop across a resistor by means of a VOM or battery-operated ac voltmeter. The "limit" indication is 0.75V, so analog meters must have an accurate low-voltage scale. The SIMPSON 250 and SANWA SH-63TRD are examples of a passive VOM that is suitable. Nearly all battery operated digital multi-meters that have a 2V AC range are suitable.

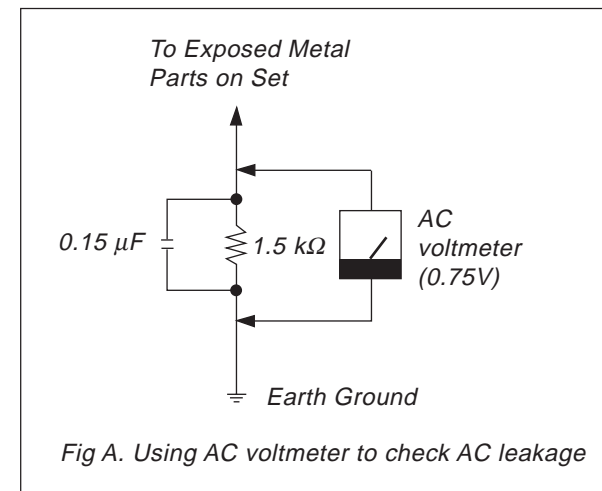


Fig A. Using AC voltmeter to check AC leakage

NOTIFICATION for environmental assessment

This model is CR2032 lithium battery onboard inside on the GB MOUNT or GH MOUNT as Timer backup power. CR2032 life may be about 5 to 8 years, so you have very few need for changing to new one. But if you have necessary to replaced to new one or disassemble for scrapping, you have to keep your country law, regulation, standard, etc. of environmental assessment and safety.

TABLE OF CONTENTS

NOTICE AND REVISION	GH017(11/21)-2
SPECIFICATIONS	GH017(11/21)-3
SUPPLIED ACCESSORIES AND PACKING BLOCK	GH017(11/21)-4
INSTRUCTION MANUAL BLOCK	GH017(11/21)-5
EXPLODED VIEWS	
Overall and Main Block	GH017(11/21)-6
MD Block	GH017(11/21)-7
GH Mount Block and Shield (A) Assy Block	GH017(11/21)-8
Switch Assy Block	GH017(11/21)-9
Power Switch, Fan and Rear Panel Assy Block	GH017(11/21)-10
BLOCK DIAGRAM	GH017(11/21)-11
PRINTED WIRING BOARDS AND SCHEMATIC DIAGRAMS	
Note for Printed Wiring Boards and Schematic Diagrams	GH017(11/21)-12
GH017(11/21) Mount Schematic Diagrams	GH017(11/21)-13
GH017(11/21) Mount Wiring Boards	GH017(11/21)-21
ELECTRICAL PARTS LIST	GH017(11/21)-23
SWITCH MOUNT	GH017(11/21)-28

SPECIFICATIONS

General

Power requirements
120 V AC, 60 Hz

Power consumption
79 W

Dimensions
301 × 78 × 182 mm (w/h/d)

Mass
2.4 kg

Inputs/Outputs on the front

Controller ports (2)
Memory card slots (2)
USB ports (2)
S400 (i-Link) port (1)

Inputs/Outputs on the rear

HDD bay slot (1)

Outputs on the rear

AV Multi out port (1)
RGB, Ycbr, Y/C, Composite-video,
Audio-L/R, XGA
Digital out port (1)
Optical audio

Supplied accessories

AC power cord (1)
A/V connecting cable (1)
Dualshock2 Analog controller (1)

SUPPLIED ACCESSORIES AND PACKING BLOCK

NOTE :

- Due to standardization, replacements in the parts list may be different from the parts specified in the diagrams or the components used on the set.
- -XX and -X mean standardized parts, so they may have some difference from the original one.
- RESISTORS
METAL : Metal-film resistor.
F : nonflammable
Unit is Ω.

- SEMICONDUCTORS
In each case, u : μ, for example :
uA . . : μA . . . uPA . . : μPA . .
uPB . . : μPB . . . uPC . . : μPC . . uPD . . : μPD . .
- CAPACITORS
uF : μF
- COILS
uH : μH

The components identified by mark \triangle or dotted line with mark. \triangle are critical for safety. Replace only with part number specified.

SUPPLIED ACCESSORIES and PACKING GROUP

PLACE CODE #23

Ref.	Part No.	Description	Remark
\triangle AC	1-790-108-31	CORD, POWER	
\triangle AC	1-823-701-11	CORD, POWER	
\triangle AC	1-824-399-11	CORD-SUPPLY, POWER	
AV	1-792-028-11	AV CABLE (INTEGRATED AUDIO/VIDEO)	
AV	1-792-028-22	AV CABLE (INTEGRATED AUDIO/VIDEO)	
AV	1-792-028-32	AV CABLE (INTEGRATED AUDIO/VIDEO)	
AV	1-792-028-42	AV CABLE (INTEGRATED AUDIO/VIDEO)	
AV	1-792-028-51	AV CABLE (INTEGRATED AUDIO/VIDEO)	
AV	1-792-028-61	AV CABLE (INTEGRATED AUDIO/VIDEO)	
CONT	1-823-069-51	ANALOG CONTROLLER(DUALSHOCK 2)	
CONT	1-823-552-12	ANALOG CONTROLLER(DUALSHOCK 2)	
CU	3-064-714-01	CUSHION	Not supply
CU2	3-064-713-01	CUSHION 2	Not supply
SH	3-065-170-01	SHEET, PROTECTION	Not supply
CA	3-076-576-01	INDIVIDUAL CARTON	Not supply
MC	3-076-098-01	MASTER CARTON, 3 SETS	Not supply
TA	3-987-483-11	TAPE, BERODDED PREVENTION	
IMB	A-6787-494-A	MANUAL BLOCK ASSY, INSTRUCTION	Not supply

INSTRUCTION MANUAL BLOCK

NOTE :

- Due to standardization, replacements in the parts list may be different from the parts specified in the diagrams or the components used on the set.
- -XX and -X mean standardized parts, so they may have some difference from the original one.
- RESISTORS
METAL : Metal-film resistor.
F : nonflammable
Unit is Ω.

- SEMICONDUCTORS
In each case, u : μ, for example :
uA . . : μA . . . uPA . . : μPA . .
uPB . . : μPB . . . uPC . . : μPC . . . uPD . . : μPD . .
- CAPACITORS
uF : μF
- COILS
uH : μH

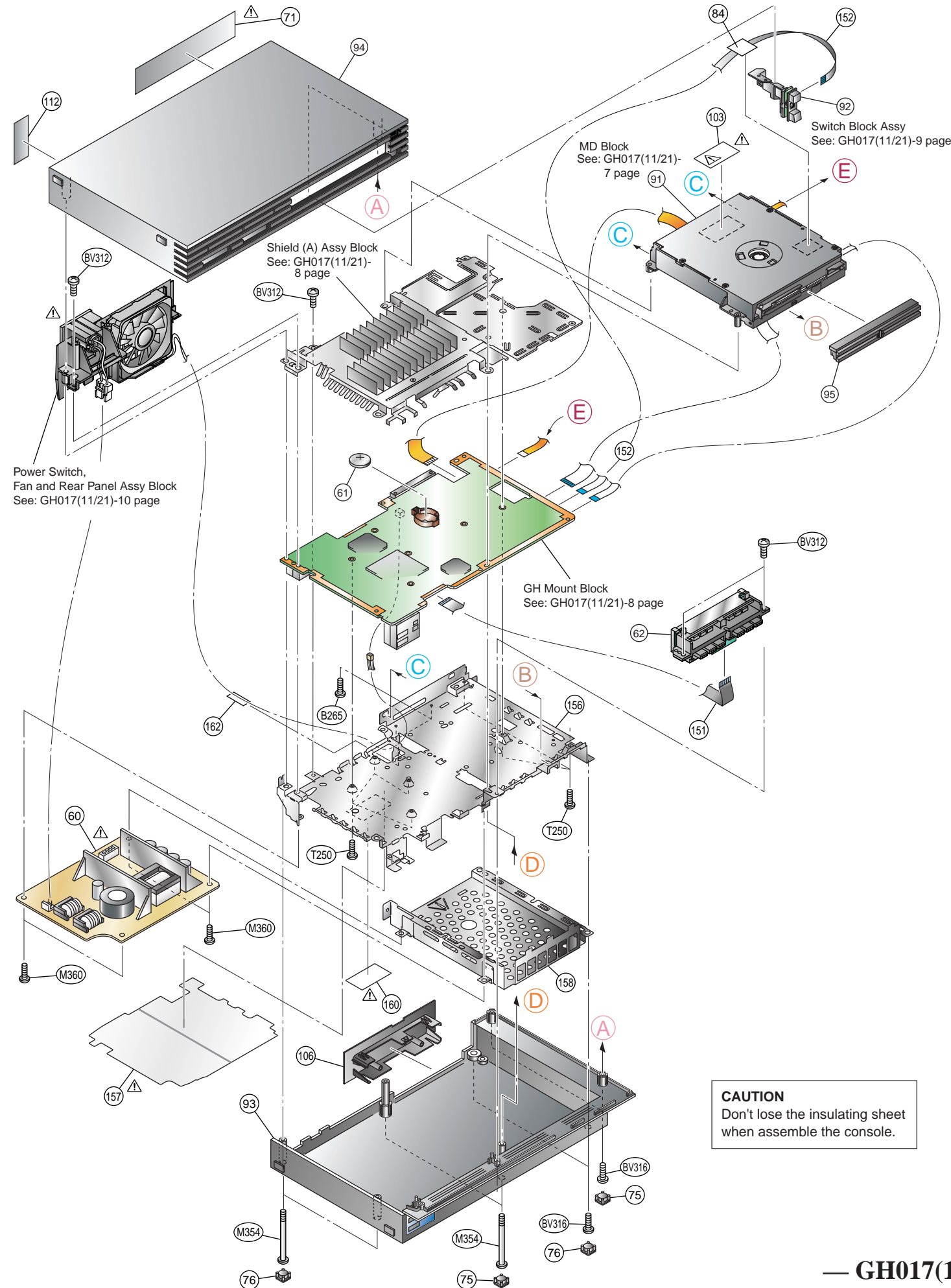
The components identified by mark \triangle or dotted line with mark \triangle are critical for safety. Replace only with part number specified.

INSTRUCTION MANUAL BLOCK ASSY PLACE CODE #23

<u>Ref.</u>	<u>Part No.</u>	<u>Description</u>	<u>Remark</u>
CI	3-072-824-01	CARD, CUSTOMER INQUIRY	Not supply
CS	3-066-966-01	CARD, SERVICE NUMBER	Not supply
ES	3-060-161-02	SHEET, ESRB	
IM	3-076-132-11	MANUAL, INSTRUCTION	Not supply

EXPLODED VIEWS

Overall and Main Block



CAUTION

The components identified by mark Δ or dotted line with mark Δ are critical for safety. Replace only with part number specified.

CAUTION :

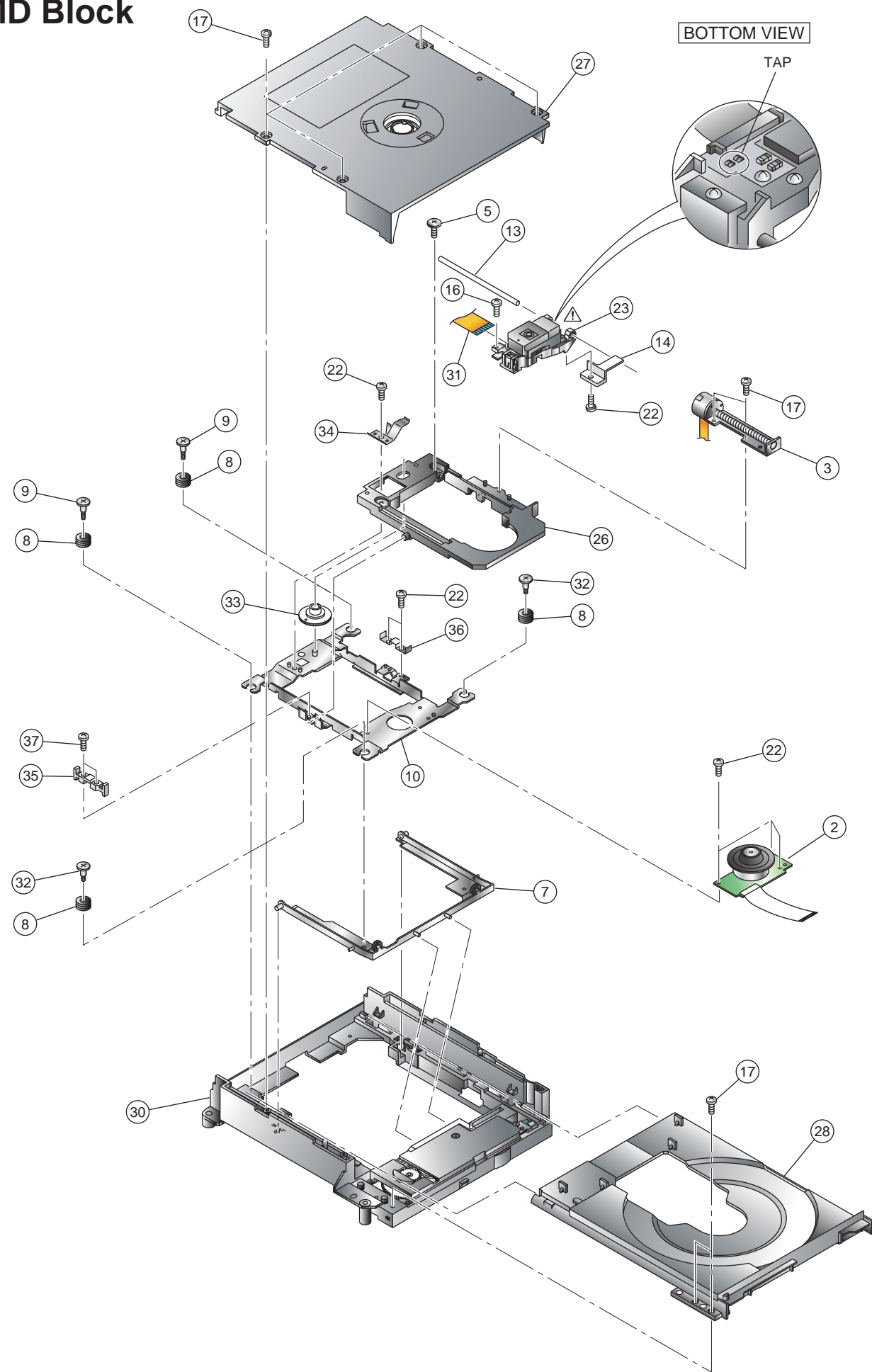
Use of controls or adjustments or performance of procedures other than those specified herein may result in hazardous radiation exposure.

OVERALL AND MAIN BLOCK

Ref-No.	Part No.	Description	Remark	Place code
Δ 60	1-468-604-21	POWER BLOCK		#00
Δ 60	1-468-604-31	POWER BLOCK		#00
Δ 60	1-468-623-21	POWER BLOCK		#00
Δ 60	1-468-623-31	POWER BLOCK		#00
Δ 60	1-468-634-11	POWER BLOCK		#00
61	1-528-174-41	BATTERY, LITHIUM (CR2032 TYPE)		#25GH
62	1-694-873-11	TERMINAL BOARD (FRONT)		#17
62	1-694-874-11	TERMINAL BOARD (FRONT)		#17
62	1-694-875-11	TERMINAL BOARD (FRONT)		#17
Δ 71	3-076-592-01	LABEL, MODEL NUMBER (UC2)		#87
75	3-059-626-03	COVER, SCREW		#22
76	3-059-627-01	CAP		#22
84	3-067-170-01	TAPE (20X20), HARNESS STOPPER		#87
91	A-6787-618-A	MD BLOCK ASSY		#10
92	A-6787-487-A	SWITCH BLOCK ASSY		#87
93	X-3951-706-2	COVER ASSY, LOWER		#87
94	X-3951-705-2	COVER ASSY, UPPER		#87
95	X-3951-099-1	PLATE ASSY, ORNAMENTAL		#25GH
Δ 103	3-976-231-11	LABEL, CAUTION		#87
106	3-070-847-01	LID		#87
112	3-066-253-01	TAPE, VOID		#87
151	1-757-934-11	CABLE, FLEXIBLE FLAT (FFC-011)		#12
151	1-757-934-21	CABLE, FLEXIBLE FLAT (FFC-011)		#12
151	1-757-934-31	CABLE, FLEXIBLE FLAT (FFC-011)		#12
151	1-757-934-41	CABLE, FLEXIBLE FLAT (FFC-011)		#12
152	1-823-341-11	CABLE, FLEXIBLE FLAT (FFC-015)		#12
152	1-823-341-21	CABLE, FLEXIBLE FLAT (FFC-015)		#12
152	1-823-341-51	CABLE, FLEXIBLE FLAT (FFC-015)		#12
156	3-071-970-11	SHIELD B (F)		#16
Δ 157	3-071-971-01	SHEET, INSULATING		#16
158	3-071-973-01	SHIELD HDD (F)		#87
Δ 160	3-703-692-01	LABEL, CAUTION, BARRIER		#16
162	3-069-212-01	TAPE, HARNESS STOPPER		#87
B265	3-069-170-01	TAPPING (B2X6.5)		#87
BV312	3-072-627-01	SCREW, +BV TAPPING		#87
BV312	3-325-679-21	SCREW, TAPPING +BV 3X12		#87
BV316	3-070-296-01	TAPPING +BV 3X16		#87
BV316	3-072-627-11	SCREW, +BV TAPPING		#87
BV316	3-325-679-91	SCREW (2 LOCK), +BV TAPPING		#87
M354	3-059-622-02	SCREW (M3X54), HEAD TAPPING		#87
M360	3-069-168-01	TITE (CZN), M3X6 +BV S		#87
T250	3-071-976-01	TAPPING (2X5)		#87

CAUTION
Don't lose the insulating sheet when assemble the console.

MD Block



CAUTION

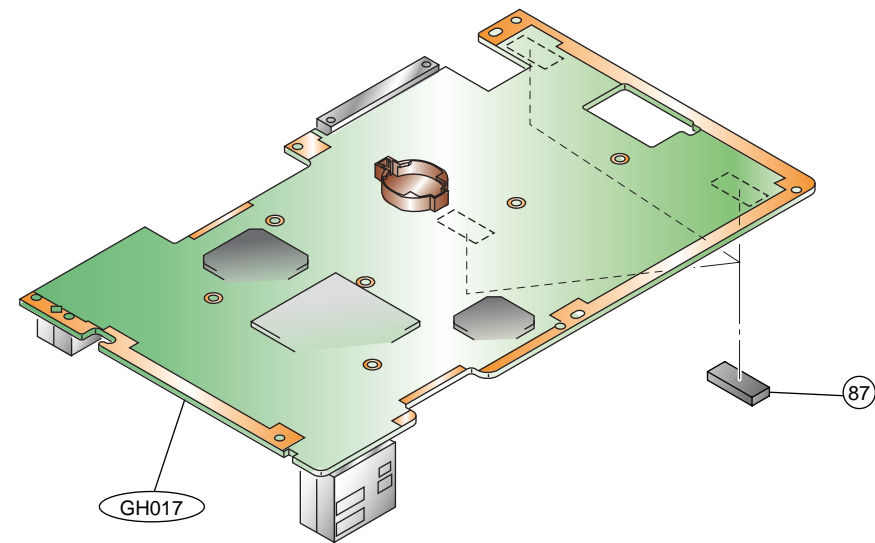
The components identified by mark \triangle or dotted line with mark. \triangle are critical for safety. Replace only with part number specified.

CAUTION :
Use of controls or adjustments or performance of procedures other than those specified herein may result in hazardous radiation exposure.

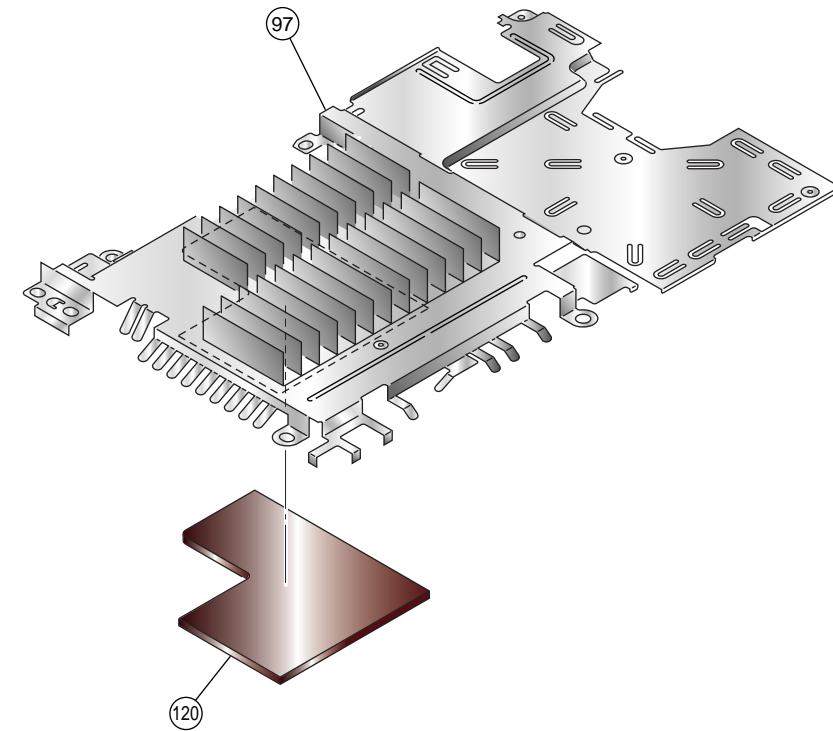
MD BLOCK

Ref-No.	Part No.	Description	Remark	Place code
2	1-763-700-21	MOTOR, DC (SPINDLE)		#10SP
3	1-763-639-21	MOTOR, DC		#10
3	1-763-791-11	MOTOR, DC (SLED)		#10
5	3-059-845-01	SCREW (B2X6.5), SHAFT RETAINER		#10
7	X-3951-637-1	FRAME ASSY, SUB		#10
8	3-065-277-01	INSULATOR		#10
9	3-065-276-01	SCREW, STEP		#10
10	3-071-957-01	CHASSIS, MAIN		#10
13	3-059-854-02	SHAFT, MAIN		#10
14	3-059-855-02	RACK		#10
16	3-060-399-01	SCREW, SKEW		#10
17	3-060-400-01	TAPPING (B2X6.5)		#10
22	3-062-728-01	O PLATE 3 MAIN M2X3.2		#10
\triangle 23	1-758-717-11	OPTICAL PICK UP (SF-HD7)	Not supply	#10OP
\triangle 23	1-758-717-21	OPTICAL PICK UP (SF-HD7)	Not supply	#10OP
\triangle 23	1-758-717-31	OPTICAL PICK UP (SF-HD7)	Not supply	#10OP
\triangle 23	8-820-151-15	DEVICE, OPTICAL KHS-400C/K1NP4		#10OP
\triangle 23	8-820-151-16	DEVICE, OPTICAL KHS-400C/C-NP4		#10OP
\triangle 23	8-820-151-17	DEVICE, OPTICAL KHS-400C/C1NP4		#10OP
\triangle 23	8-820-151-18	DEVICE, OPTICAL KHS-400C/J1NP2		#10OP
26	X-3952-057-1	CHASSIS ASSY, SUB		#10
27	X-3952-059-1	BRACKET ASSY, PULLEY		#10
28	X-3952-060-1	TRAY ASSY		#10TR
30	X-3952-058-3	FRAME ASSY, MAIN		#10
31	1-680-370-22	PWB, FLEXIBLE		#10
32	3-068-075-02	SCREW (SUB), STEP		#10
33	3-071-965-02	CAM, TILT		#10
34	3-071-966-02	SPRING (TILT), LEAF		#10
35	3-065-282-01	GUIDE (L)		#10
36	3-065-283-01	GUIDE (R)		#10
37	3-065-557-01	SCREW (M2X6.0)		#10

GH Mount Block



Shield (A) Assy Block



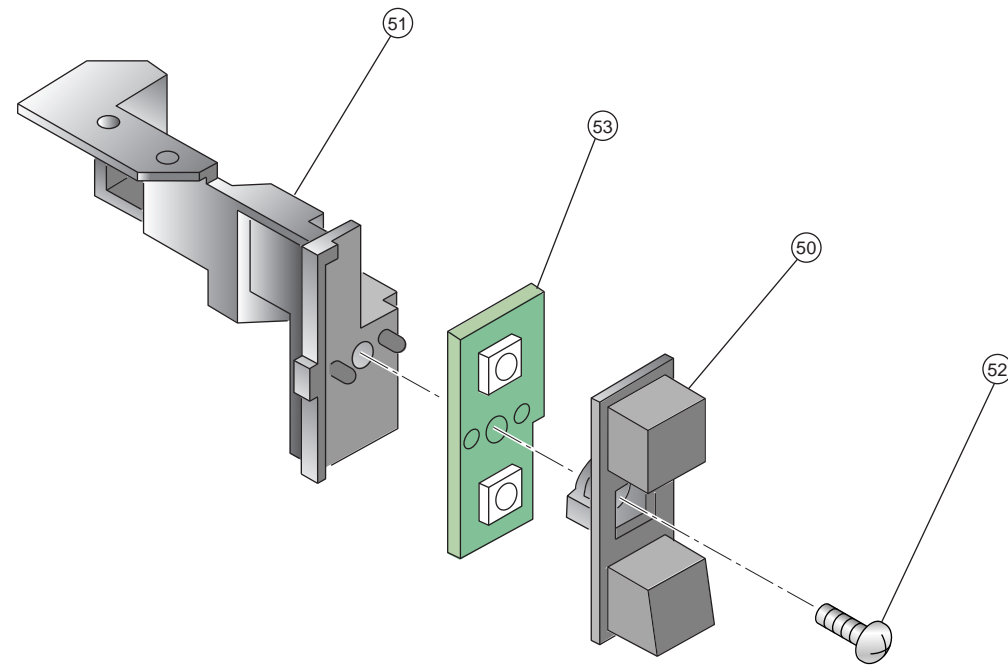
GH MOUNT BLOCK

<u>Ref-No.</u>	<u>Part No.</u>	<u>Description</u>	<u>Remark</u>	<u>Place code</u>
87	3-068-806-02	SHEET (DRIVER), ELECTRIC HEAT		#87
GH017	A-6787-492-A	GH-017 COMPL		

SHIELD (A) ASSY BLOCK

<u>Ref-No.</u>	<u>Part No.</u>	<u>Description</u>	<u>Remark</u>	<u>Place code</u>
97	X-3952-061-2	SHIELD A (F) ASSY		#87
97	X-3952-211-1	SHIELD A ASSY (FVA)		#87
97	X-3952-256-2	SHIELD (A (F)) ASSY		#87
120	3-059-652-01	SHEET (A), ELECTRIC HEAT		#87

Switch Assy Block



SWITCH ASSY BLOCK

A-6787-487-A SW-372 SWITCH ASSY BLOCK for GH017 MOUNT

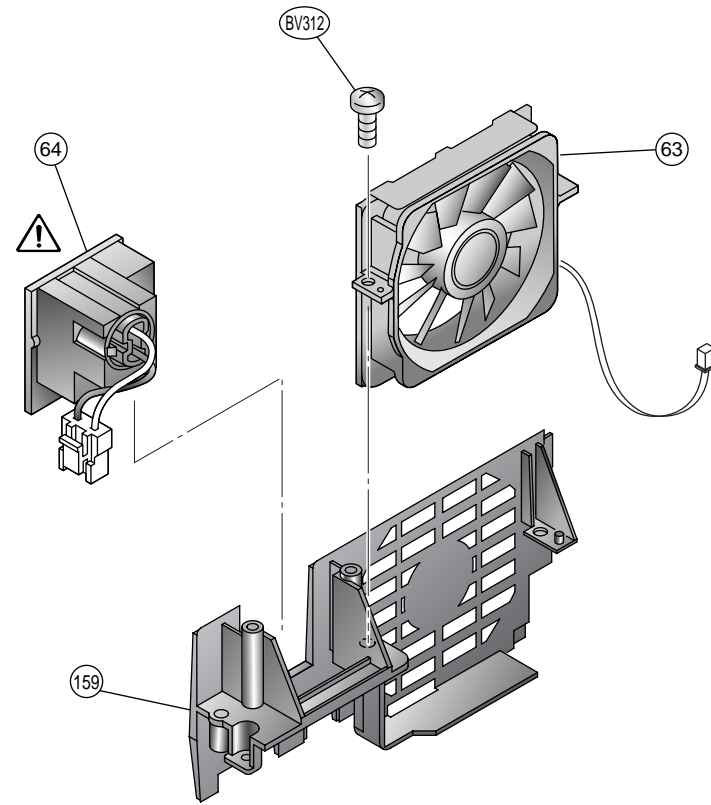
<u>Ref-No.</u>	<u>Part No.</u>	<u>Description</u>	<u>Remark</u>	<u>Place code</u>
50	3-059-665-03	BUTTON, SWITCH		#25SW
51	3-059-666-05	BRACKET, SWITCH		#25SW
51	3-066-494-01	BRACKET, SWITCH		#25SW
52	7-685-105-11	TPG +P 2X8, TYPE 2, NON-SLIT		#25SW
53	A-6787-488-A	SW-372 COMPL		#25SW
53	A-6787-490-A	SW-372 COMPL (VA)		#25SW

Power Switch, Fan and Rear Panel Assy Block

CAUTION

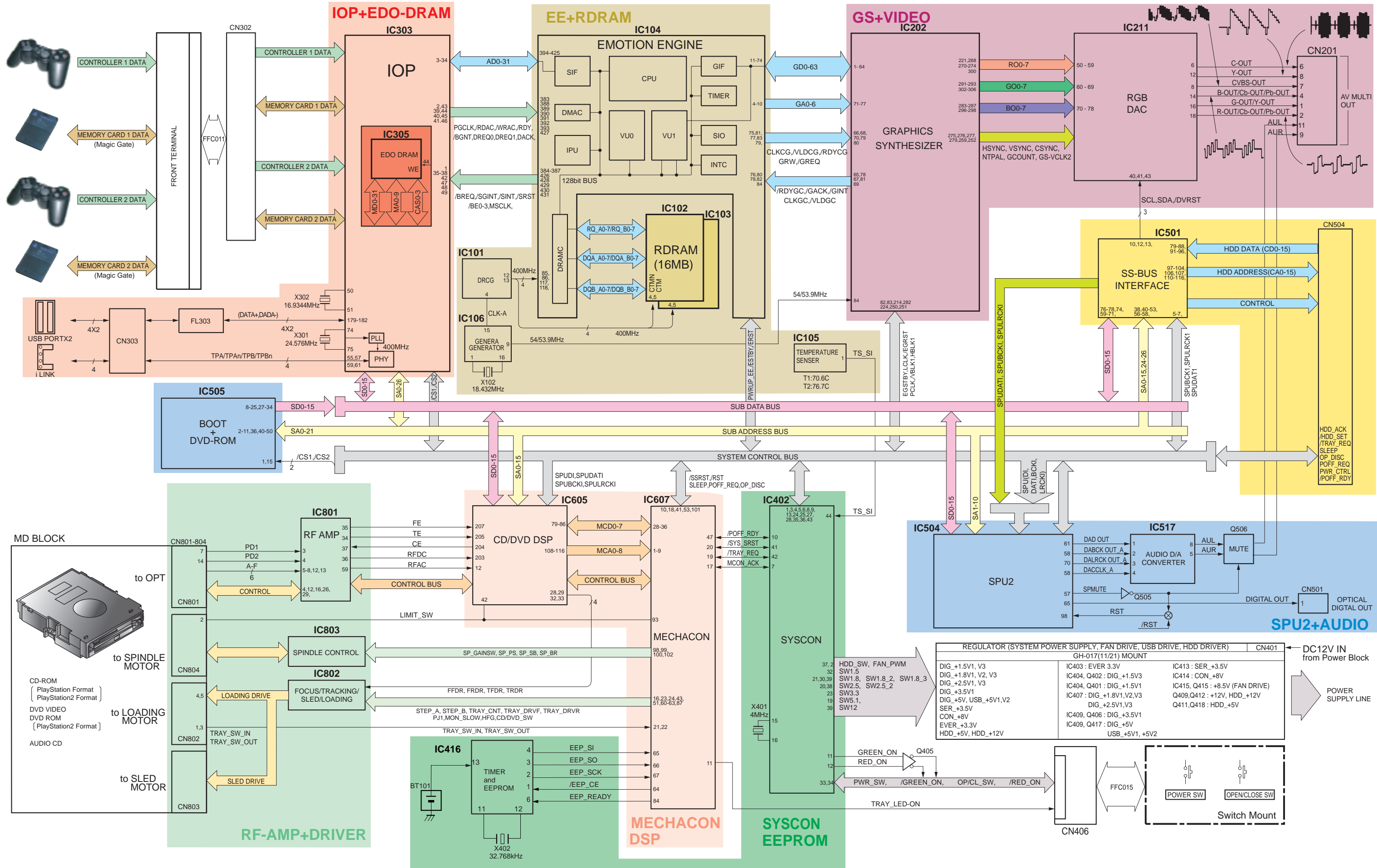
The components identified by mark ⚠ or dotted line with mark ⚠ are critical for safety. Replace only with part number specified.

CAUTION :
Use of controls or adjustments or performance of procedures other than those specified herein may result in hazardous radiation exposure.



<u>Ref-No.</u>	<u>Part No.</u>	<u>Description</u>	<u>Remark</u>	<u>Place code</u>
63	1-763-480-31	DC. FAN		#74
63	1-763-554-31	FAN, DC		#74
63	1-763-756-21	FAN, D.C.		#74
⚠ 64	1-771-994-31	SWITCH, POWER (WITH AC INLET)		#00
⚠ 64	1-786-362-11	SWITCH, POWER (WITH AC INLET)		#00
⚠ 64	1-786-388-11	SWITCH, POWER (WITH AC INLET)		#00
159	3-071-901-01	PANEL, REAR		#87
BV312	3-072-627-01	SCREW, +BV TAPPING		#87
BV312	3-325-679-21	SCREW, TAPPING +BV 3X12		#87


BLOCK DIAGRAM



PRINTED WIRING BOARDS AND SCHEMATIC DIAGRAMS

THIS NOTE IS COMMON FOR PRINTED WIRING BOARDS AND SCHEMATIC DIAGRAMS.

Note on Printed Wiring Boards :

- Through hole is omitted.
-  : Pattern on the side which is seen.

Note on Schematic Diagram :

- Use caution when replacing chip parts.
New parts must be attached after removal of chip.
Be careful not to heat the minus side of tantalum capacitor, because it is damaged by the heat.
- All capacitors are in μF unless otherwise noted. pF : $\mu\mu\text{F}$ 50 WV or less are not indicated except for electrolytics and tantalums.
- All resistors are in Ω and 1/4 W (Chip resistors : 1/10W) unless otherwise specified.
- Chip resistors are 1/8 W or 1/10 W unless otherwise noted.
 $\text{k}\Omega$: 1000Ω , $\text{M}\Omega$: $1000\text{k}\Omega$.

Note :















The components identified by mark \triangle or dotted line with mark \triangle are critical for safety. Replace only with part number specified.

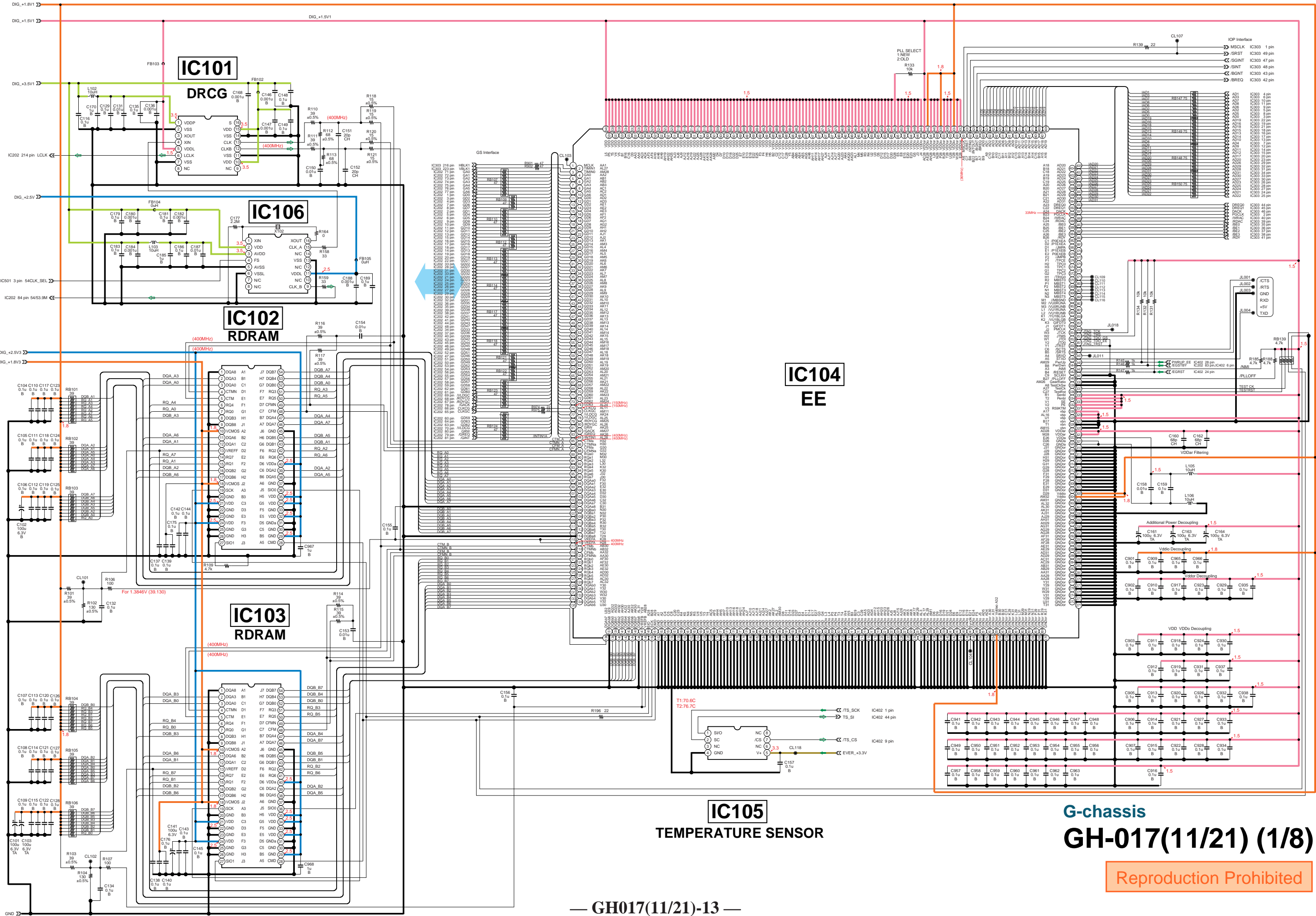
Note :

Les composants identifiés par une marque \triangle sont critiques pour la sécurité. Ne les remplacer que par une pièce portant le numéro spécifié.

Note on DC Power line :

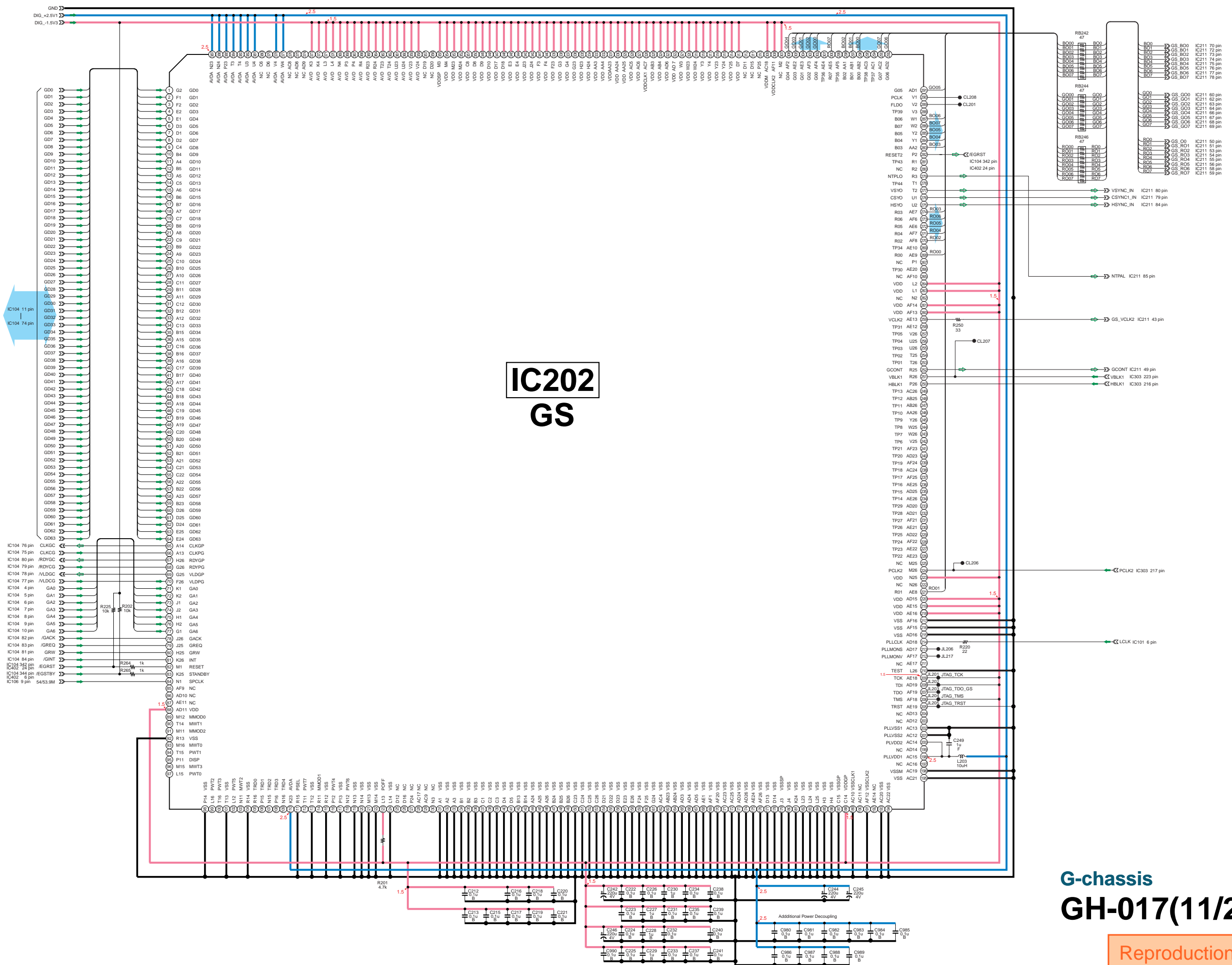
Unit of voltage is V (volt)

- | | |
|---|--|
| • +12V :  | • +3.3V :  |
| • +8.0V :  | • +2.5V :  |
| • +5.0V :  | • +1.8V :  |
| • +3.5V :  | • VC :  |
| • +1.7V :  | • +1.5V :  |
| | • +8.5V :  |
| • IN :  | • Main Signal Line :  |
| • OUT :  | |



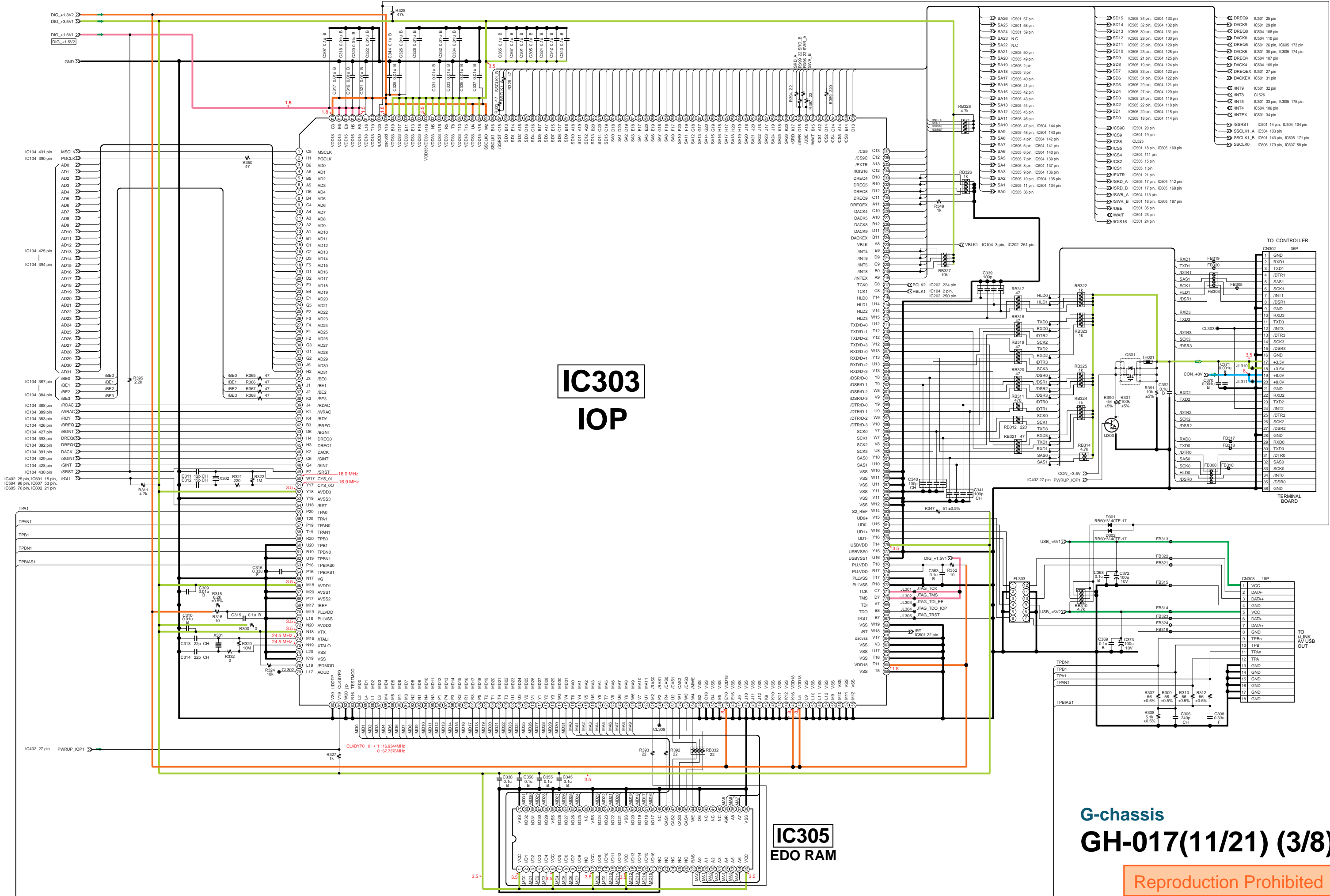
G-chassis
GH-017(11/21) (1/8)

Reproduction Prohibited



G-chassis
GH-017(11/21) (2/8)

Reproduction Prohibited

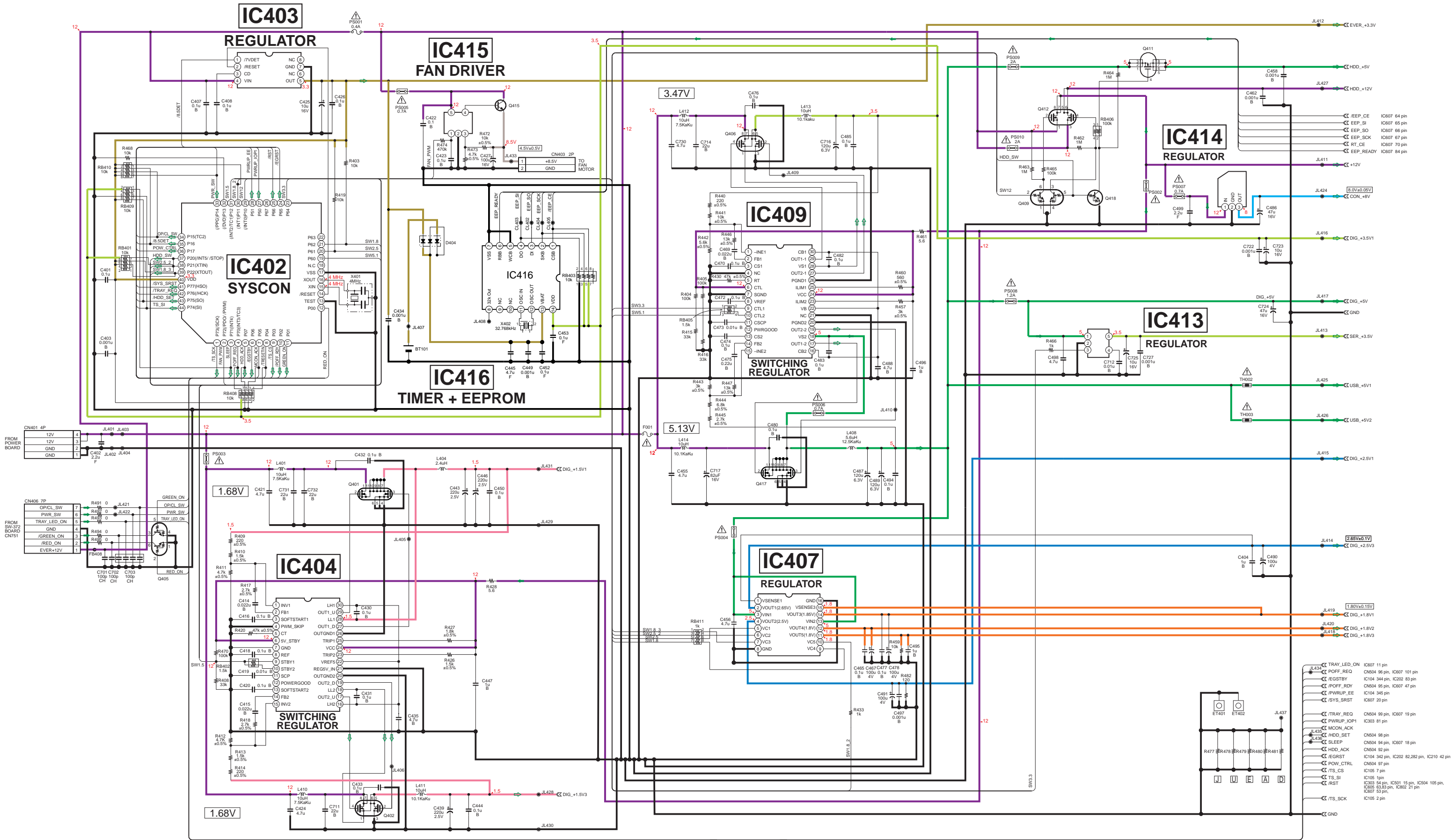


IC303
IOP

IC305
EDO RAM

G-chassis
GH-017(11/21) (3/8)

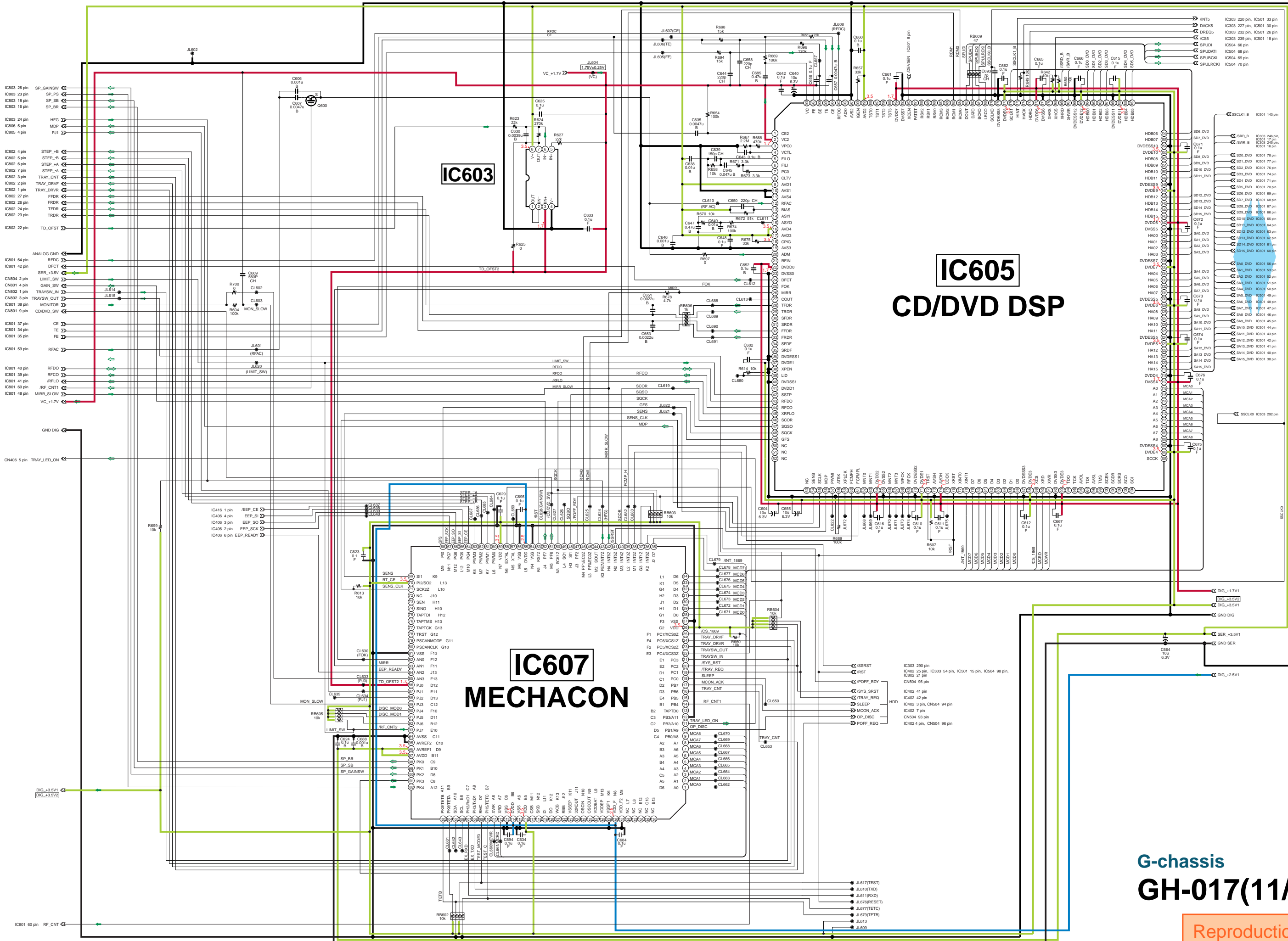
Reproduction Prohibited



- IC607 64 pin
- IC607 65 pin
- IC607 66 pin
- IC607 67 pin
- IC607 70 pin
- IC607 84 pin
- IC607 11 pin
- IC607 19 pin
- IC607 21 pin
- IC607 33 pin
- IC607 34 pin
- IC607 35 pin
- IC607 42 pin
- IC607 47 pin
- IC607 48 pin
- IC607 54 pin
- IC607 55 pin
- IC607 56 pin
- IC607 57 pin
- IC607 58 pin
- IC607 59 pin
- IC607 60 pin
- IC607 61 pin
- IC607 62 pin
- IC607 63 pin
- IC607 64 pin
- IC607 65 pin
- IC607 66 pin
- IC607 67 pin
- IC607 68 pin
- IC607 69 pin
- IC607 70 pin
- IC607 71 pin
- IC607 72 pin
- IC607 73 pin
- IC607 74 pin
- IC607 75 pin
- IC607 76 pin
- IC607 77 pin
- IC607 78 pin
- IC607 79 pin
- IC607 80 pin
- IC607 81 pin
- IC607 82 pin
- IC607 83 pin
- IC607 84 pin
- IC607 85 pin
- IC607 86 pin
- IC607 87 pin
- IC607 88 pin
- IC607 89 pin
- IC607 90 pin
- IC607 91 pin
- IC607 92 pin
- IC607 93 pin
- IC607 94 pin
- IC607 95 pin
- IC607 96 pin
- IC607 97 pin
- IC607 98 pin
- IC607 99 pin
- IC607 100 pin

G-chassis
GH-017(11/21) (4/8)

Reproduction Prohibited



IC603

IC605
CD/DVD DSP

IC607
MECHACON

G-chassis
GH-017(11/21) (6/8)

Reproduction Prohibited

IC806

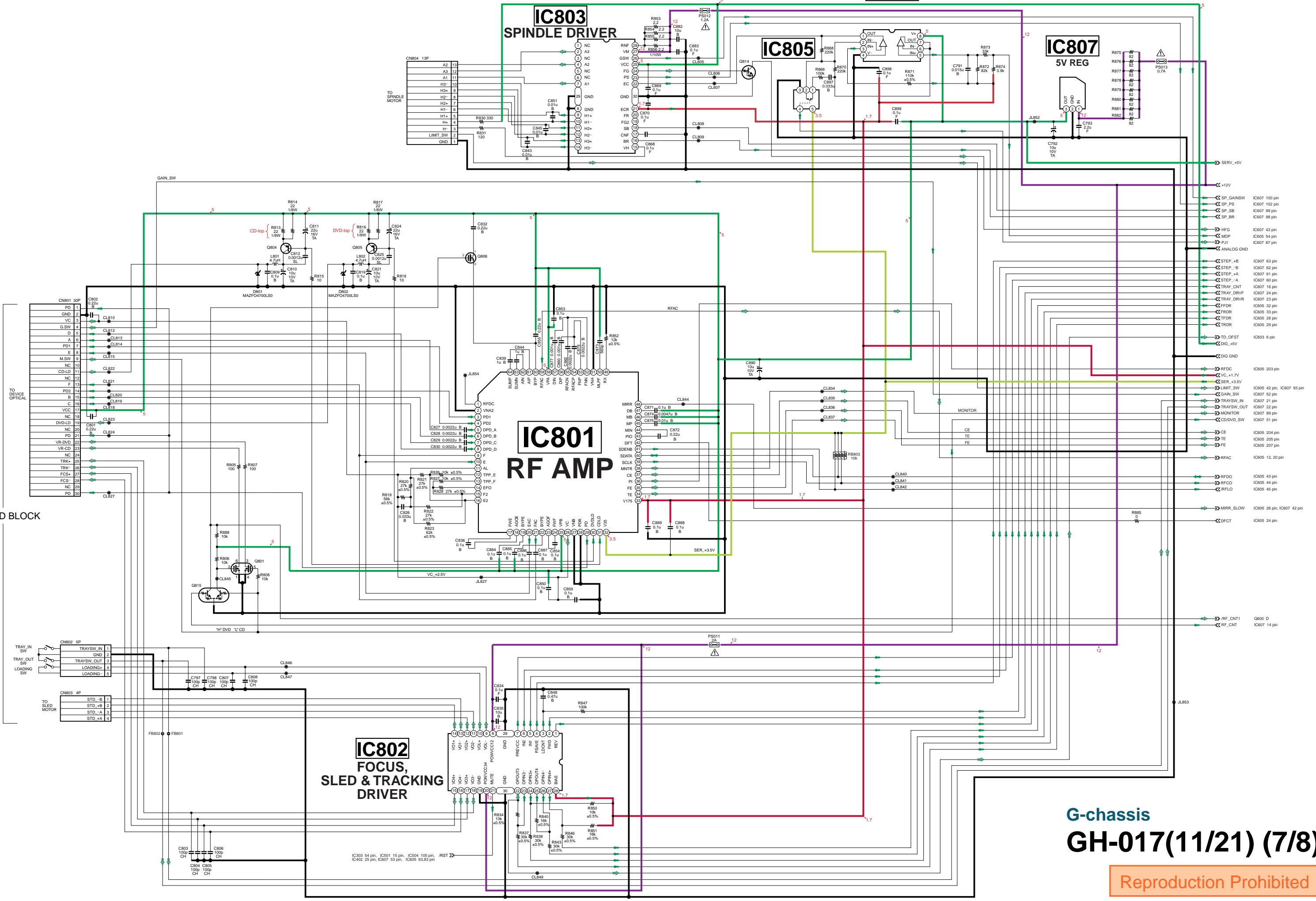
IC803 SPINDLE DRIVER

IC805

IC807 5V REG

IC801 RF AMP

IC802 FOCUS, SLED & TRACKING DRIVER



- IC807 100 pin
- IC807 102 pin
- IC807 99 pin
- IC807 98 pin
- IC807 43 pin
- IC805 54 pin
- IC807 87 pin
- IC807 63 pin
- IC807 62 pin
- IC807 61 pin
- IC807 60 pin
- IC807 24 pin
- IC807 23 pin
- IC805 32 pin
- IC805 33 pin
- IC805 28 pin
- IC805 29 pin
- IC803 6 pin
- IC805 203 pin
- IC805 42 pin, IC807 93 pin
- IC807 52 pin
- IC807 21 pin
- IC807 22 pin
- IC807 89 pin
- IC807 51 pin
- IC805 204 pin
- IC805 205 pin
- IC805 207 pin
- IC805 12, 20 pin
- IC805 43 pin
- IC805 44 pin
- IC805 45 pin
- IC805 26 pin, IC807 42 pin
- IC805 24 pin
- IC805 14 pin
- IC805 14 pin
- IC805 14 pin

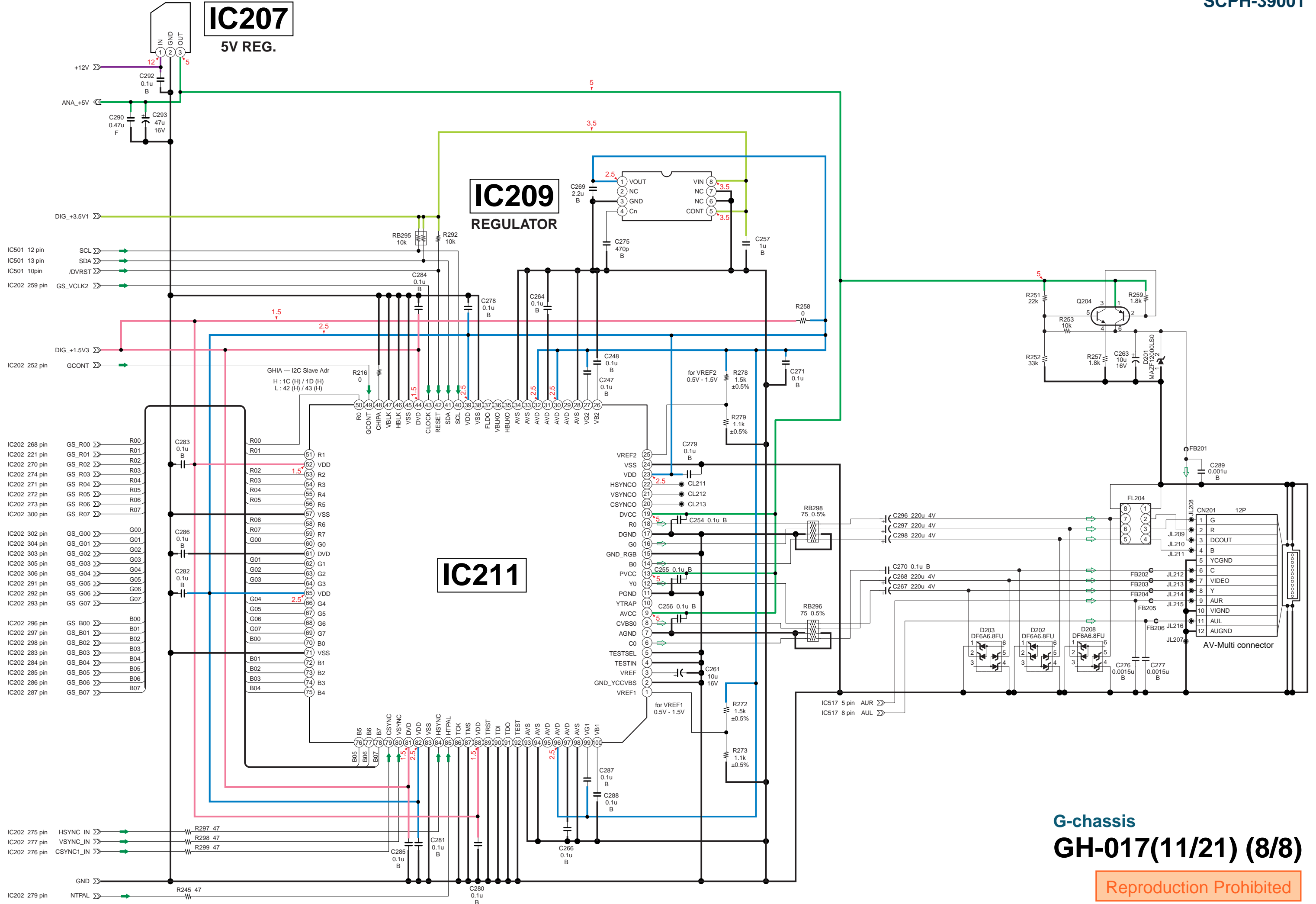
G-chassis
GH-017(11/21) (7/8)

Reproduction Prohibited

IC207 5V REG.

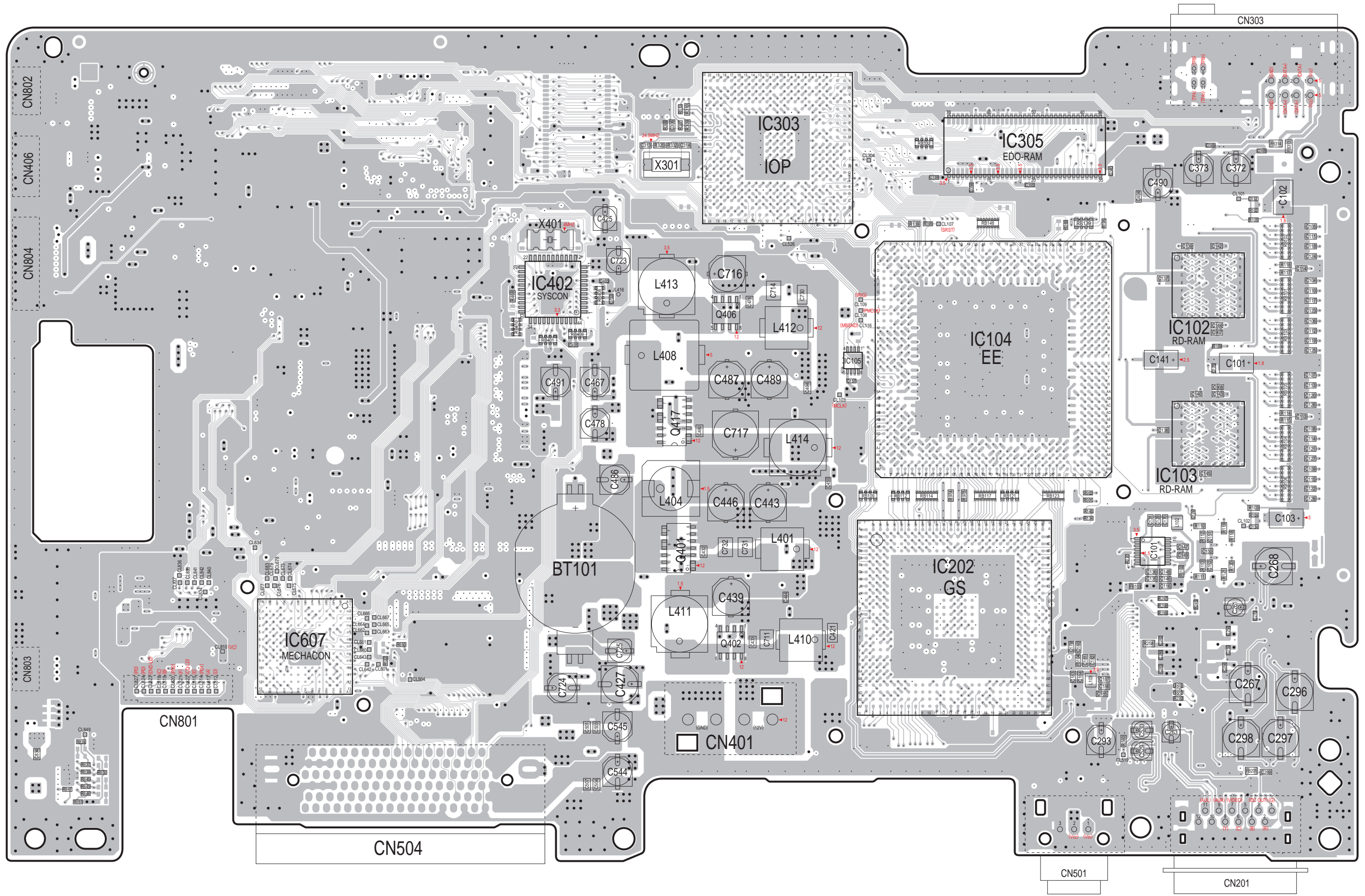
IC209 REGULATOR

IC211



G-chassis
GH-017(11/21) (8/8)

Reproduction Prohibited

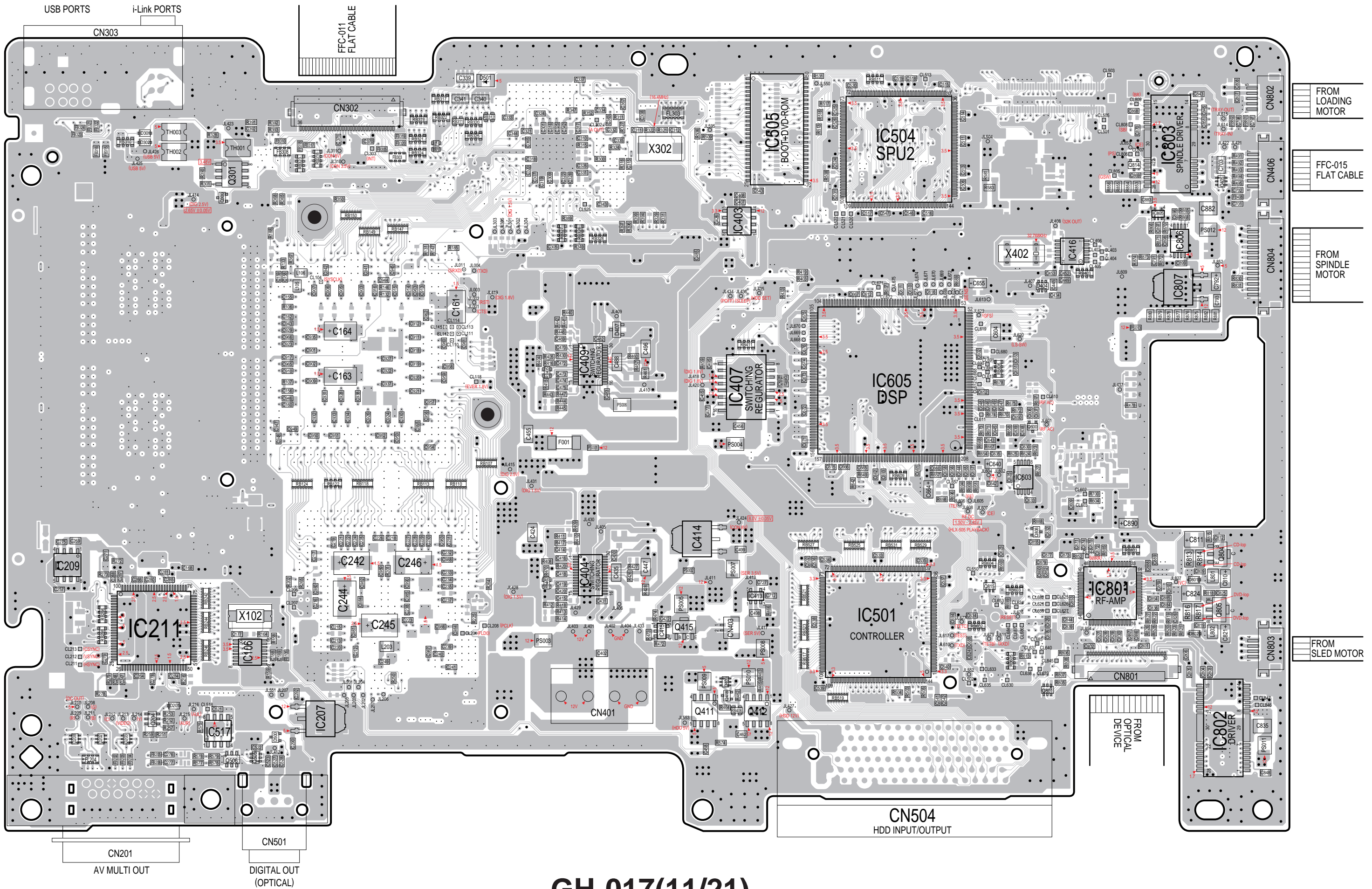


GH-017(11/21)

A side

— GH017(11/21)-21 —

Reproduction Prohibited



GH-017(11/21)

B side

— GH017(11/21)-22 —

Reproduction Prohibited

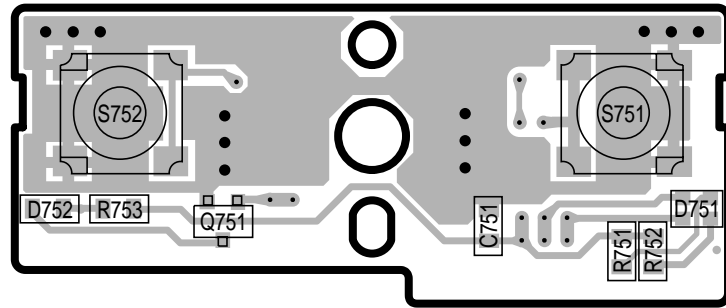
Ref.	Part No.	Description	
R827	1-218-871-91	RES, CHIP 10K	(1608)
R828	1-218-881-91	RES, CHIP 27K	(1608)
R830	1-216-815-91	RES, CHIP 330	(1608)
R831	1-216-810-91	RES, CHIP 120	(1608)
R834	1-208-911-81	RES, CHIP 10K	(1005)
R837	1-208-922-81	RES, CHIP 30K	(1005)
R838	1-208-922-81	RES, CHIP 30K	(1005)
R840	1-208-916-81	RES, CHIP 16K	(1005)
R843	1-208-922-81	RES, CHIP 30K	(1005)
R846	1-208-922-81	RES, CHIP 30K	(1005)
R847	1-218-977-81	RES, CHIP 100K	
R850	1-208-911-81	RES, CHIP 10K	(1005)
R851	1-208-916-81	RES, CHIP 16K	(1005)
R852	1-218-873-91	RES, CHIP 12K	(1608)
R853	1-216-298-91	RES, CHIP 2.2	(2012)
R854	1-216-298-91	RES, CHIP 2.2	(2012)
R855	1-216-298-91	RES, CHIP 2.2	(2012)
R856	1-216-298-91	RES, CHIP 2.2	(2012)
R866	1-216-845-91	RES, CHIP 100K	(1608)
R868	1-216-849-91	RES, CHIP 220K	(1608)
R870	1-216-849-91	RES, CHIP 220K	(1608)
R871	1-218-896-91	RES, CHIP 110K	(1608)
R872	1-216-844-91	RES, CHIP 82K	(1608)
R873	1-216-839-91	RES, CHIP 33K	(1608)
R874	1-216-828-91	RES, CHIP 3.9K	(1608)
R875	1-216-023-91	RES, CHIP 82	(2012)
R876	1-216-023-91	RES, CHIP 82	(2012)
R877	1-216-023-91	RES, CHIP 82	(2012)
R878	1-216-023-91	RES, CHIP 82	(2012)
R879	1-216-023-91	RES, CHIP 82	(2012)
R880	1-216-023-91	RES, CHIP 82	(2012)
R881	1-216-023-91	RES, CHIP 82	(2012)
R882	1-216-023-91	RES, CHIP 82	(2012)
R885	1-216-864-91	CONDUCTOR, CHIP	(1608)
R888	1-216-833-91	RES, CHIP 10K	(1608)
R901	1-218-937-81	RES, CHIP 47	
R902	1-218-937-81	RES, CHIP 47	
R974	1-216-801-91	RES, CHIP 22	(1608)
R975	1-216-801-91	RES, CHIP 22	(1608)
<RESISTOR BLOCK>			
RB101	1-234-496-21	ARRAY, RESISTOR 39	
RB102	1-234-496-21	ARRAY, RESISTOR 39	
RB103	1-234-496-21	ARRAY, RESISTOR 39	
RB104	1-234-496-21	ARRAY, RESISTOR 39	
RB105	1-234-496-21	ARRAY, RESISTOR 39	
RB106	1-234-496-21	ARRAY, RESISTOR 39	
RB107	1-234-710-21	RES, CHIP NETWORK 47X8	(3816)
RB109	1-233-423-21	RES, CHIP NETWORK 47	(3216)
RB110	1-234-710-21	RES, CHIP NETWORK 47X8	(3816)
RB112	1-233-423-21	RES, CHIP NETWORK 47	(3216)
RB113	1-234-710-21	RES, CHIP NETWORK 47X8	(3816)
RB114	1-234-710-21	RES, CHIP NETWORK 47X8	(3816)
RB117	1-234-710-21	RES, CHIP NETWORK 47X8	(3816)
RB118	1-234-710-21	RES, CHIP NETWORK 47X8	(3816)
RB121	1-233-423-21	RES, CHIP NETWORK 47	(3216)
RB122	1-233-423-21	RES, CHIP NETWORK 47	(3216)
RB123	1-234-710-21	RES, CHIP NETWORK 47X8	(3816)
RB124	1-234-710-21	RES, CHIP NETWORK 47X8	(3816)
RB139	1-233-414-21	RES, CHIP NETWORK 4.7K	(3216)
RB147	1-234-763-11	RES, CHIP NETWORK 75X8	(3816)
RB148	1-234-763-11	RES, CHIP NETWORK 75X8	(3816)
RB149	1-234-763-11	RES, CHIP NETWORK 75X8	(3816)
RB150	1-234-763-11	RES, CHIP NETWORK 75X8	(3816)
RB242	1-234-710-21	RES, CHIP NETWORK 47X8	(3816)
RB244	1-234-710-21	RES, CHIP NETWORK 47X8	(3816)

Ref.	Part No.	Description	
RB246	1-234-710-21	RES, CHIP NETWORK 47X8	(3816)
RB295	1-233-789-91	RES, NETWORK 10K	(1608)
RB296	1-234-598-21	RES, CHIP NETWORK 75X4	(3216)
RB298	1-234-598-21	RES, CHIP NETWORK 75X4	(3216)
RB310	1-233-414-21	RES, CHIP NETWORK 4.7K	(3216)
RB311	1-233-679-91	RES, NETWORK (1608) 470	
RB312	1-233-786-91	RES, NETWORK 220	(1608)
RB314	1-233-681-91	RES, NETWORK (1608) 4.7K	
RB317	1-233-423-21	RES, CHIP NETWORK 47	(3216)
RB318	1-233-423-21	RES, CHIP NETWORK 47	(3216)
RB319	1-233-423-21	RES, CHIP NETWORK 47	(3216)
RB320	1-233-423-21	RES, CHIP NETWORK 47	(3216)
RB321	1-233-423-21	RES, CHIP NETWORK 47	(3216)
RB322	1-233-412-21	RES, CHIP NETWORK 1.0K	(3216)
RB323	1-233-412-21	RES, CHIP NETWORK 1.0K	(3216)
RB324	1-233-412-21	RES, CHIP NETWORK 1.0K	(3216)
RB325	1-233-412-21	RES, CHIP NETWORK 1.0K	(3216)
RB326	1-233-412-21	RES, CHIP NETWORK 1.0K	(3216)
RB327	1-233-415-21	RES, CHIP NETWORK 10K	(3216)
RB328	1-233-414-21	RES, CHIP NETWORK 4.7K	(3216)
RB332	1-233-575-21	RES, CHIP NETWORK 22	
RB401	1-233-415-21	RES, CHIP NETWORK 10K	(3216)
RB402	1-233-803-91	RES, NETWORK 1.5K	(1608)
RB403	1-233-415-21	RES, CHIP NETWORK 10K	(3216)
RB405	1-233-803-91	RES, NETWORK 1.5K	(1608)
RB406	1-233-792-91	RES, NETWORK 100K	(1608)
RB408	1-233-415-21	RES, CHIP NETWORK 10K	(3216)
RB409	1-233-415-21	RES, CHIP NETWORK 10K	(3216)
RB410	1-233-415-21	RES, CHIP NETWORK 10K	(3216)
RB411	1-233-412-21	RES, CHIP NETWORK 1.0K	(3216)
RB511	1-233-423-21	RES, CHIP NETWORK 47	(3216)
RB517	1-234-711-21	RES, CHIP NETWORK 22X8	(3816)
RB519	1-234-711-21	RES, CHIP NETWORK 22X8	(3816)
RB521	1-234-711-21	RES, CHIP NETWORK 22X8	(3816)
RB523	1-234-711-21	RES, CHIP NETWORK 22X8	(3816)
RB525	1-234-711-21	RES, CHIP NETWORK 22X8	(3816)
RB527	1-234-711-21	RES, CHIP NETWORK 22X8	(3816)
RB529	1-234-711-21	RES, CHIP NETWORK 22X8	(3816)
RB531	1-234-711-21	RES, CHIP NETWORK 22X8	(3816)
RB602	1-233-415-21	RES, CHIP NETWORK 10K	(3216)
RB603	1-233-415-21	RES, CHIP NETWORK 10K	(3216)
RB604	1-233-415-21	RES, CHIP NETWORK 10K	(3216)
RB605	1-233-415-21	RES, CHIP NETWORK 10K	(3216)
RB606	1-233-412-21	RES, CHIP NETWORK 1.0K	(3216)
RB609	1-233-423-21	RES, CHIP NETWORK 47	(3216)
RB803	1-233-415-21	RES, CHIP NETWORK 10K	(3216)
<THERMISTOR>			
△ TH001	1-533-817-21	THERMISTOR	
△ TH001	1-804-384-21	THERMISTOR, POSITIVE	
△ TH001	1-804-384-31	THERMISTOR, POSITIVE	
△ TH002	1-533-817-21	THERMISTOR	
△ TH002	1-804-384-21	THERMISTOR, POSITIVE	
△ TH002	1-804-384-31	THERMISTOR, POSITIVE	
△ TH003	1-533-817-21	THERMISTOR	
△ TH003	1-804-384-21	THERMISTOR, POSITIVE	
△ TH003	1-804-384-31	THERMISTOR, POSITIVE	
<CRYSTAL>			
X102	1-781-640-21	VIBRATOR, CRYSTAL	
X102	1-781-640-41	VIBRATOR, CRYSTAL	
X301	1-781-856-21	VIBRATOR, CRYSTAL	
X301	1-781-856-41	VIBRATOR, CRYSTAL	
X302	1-781-768-21	VIBRATOR, CRYSTAL	
X302	1-781-768-41	VIBRATOR, CRYSTAL	
X401	1-760-496-22	VIBRATOR, LITHIUM NIOBATE	

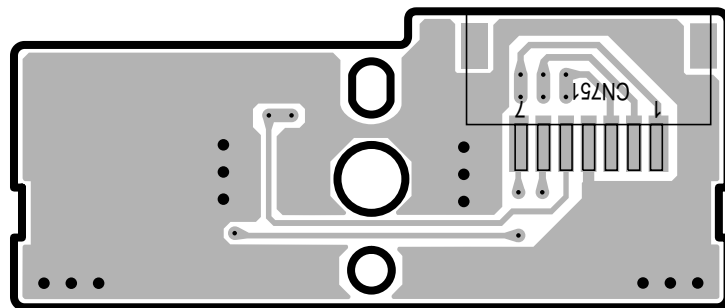
Ref.	Part No.	Description
X402	1-760-928-41	VIBRATOR, CRYSTAL
X402	1-767-300-21	VIBRATOR, CRYSTAL
X402	1-781-266-41	VIBRATOR, CRYSTAL
X402	1-781-266-61	VIBRATOR, CRYSTAL

Ref.	Part No.	Description
------	----------	-------------

SWITCH MOUNT

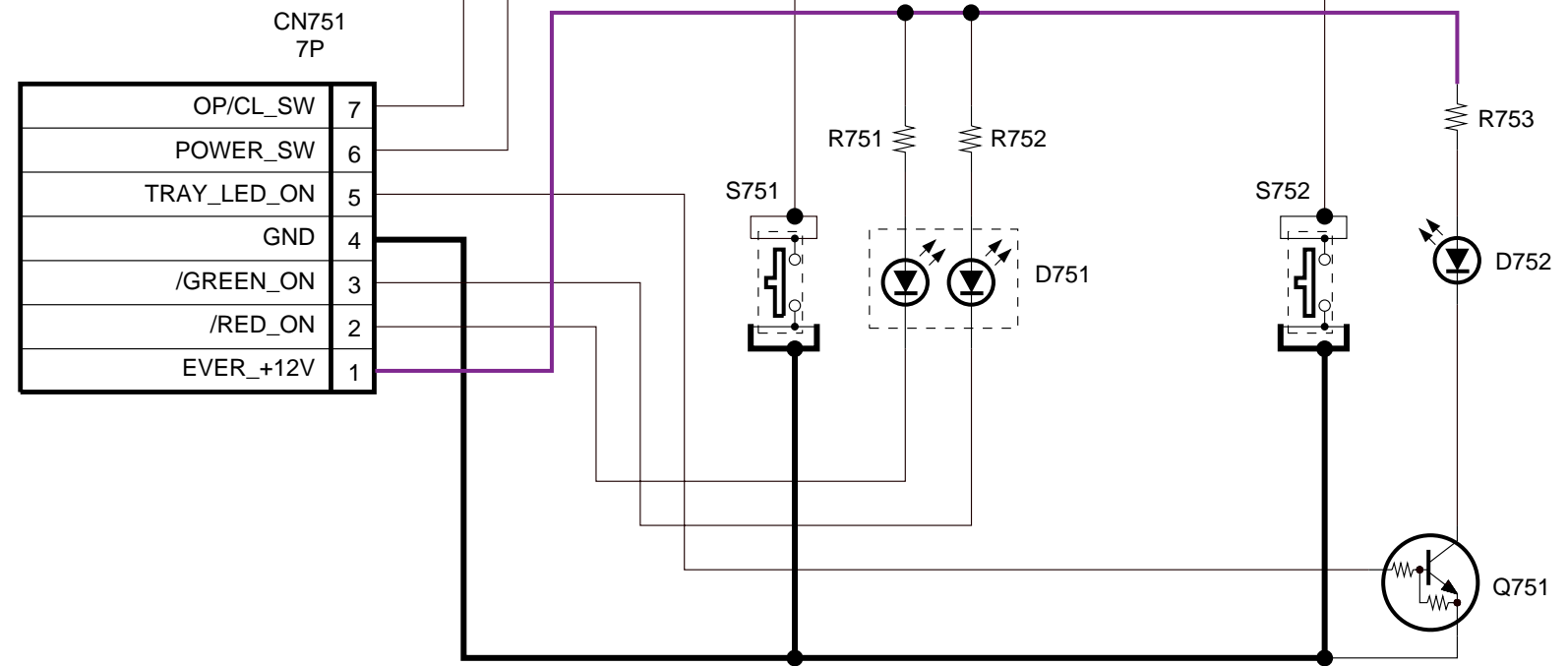


SW-372/SW-372(VA)
A side



SW-372/SW-372(VA)
B side

TO GH017
BOARD
CN406



SW-372/SW-372(VA)

SWITCH MOUNTED CIRCUIT BOARD

Ref-No.	Part No.	Description	Remark	Place code
PWB	1-685-424-11	PWB, SW-372		#25SW
PWB	1-685-424-21	PWB, SW-372		#25SW
CN751	1-785-470-21	CONNECTOR, FPC(LIF(NON-ZIF))7P		#25SW
D751	8-719-078-90	DIODE CL-165HR/G1-D-T	for SW-372 MOUNT	#25SW
D751	6-500-232-01	DIODE CL-165HR/G2-D-T	for SW-372 MOUNT(VA)	#25SW
D751	6-500-245-01	DIODE SECS2D68C	for SW-372 MOUNT(VA)	#25SW
D752	6-500-204-01	DIODE CL-190UB2-X-T		#25SW
D752	8-719-080-04	DIODE CL-190UB-X-T		#25SW
Q751	6-550-076-01	TRANSISTOR MUN5213T1		#25SW
Q751	8-729-013-97	TRANSISTOR RN1304-TE85L		#25SW
Q751	8-729-029-14	TRANSISTOR DTC144EUA-T106		#25SW
Q751	8-729-402-44	TRANSISTOR UN5213-TX		#25SW
R751	1-216-833-91	RES, CHIP 10K (1608)	for SW-372 MOUNT	#25SW
R751	1-216-832-91	RES, CHIP 8.2K (1608)	for SW-372 MOUNT(VA)	#25SW
R752	1-216-835-91	RES, CHIP 15K (1608)	for SW-372 MOUNT	#25SW
R752	1-216-831-91	RES, CHIP 6.8K (1608)	for SW-372 MOUNT(VA)	#25SW
R753	1-216-993-91	RES, CHIP 2.4K (1608)		#25SW
S751	1-771-917-21	SWITCH, TACTILE		#25SW
S752	1-771-917-21	SWITCH, TACTILE		#25SW

Reproduction Prohibited